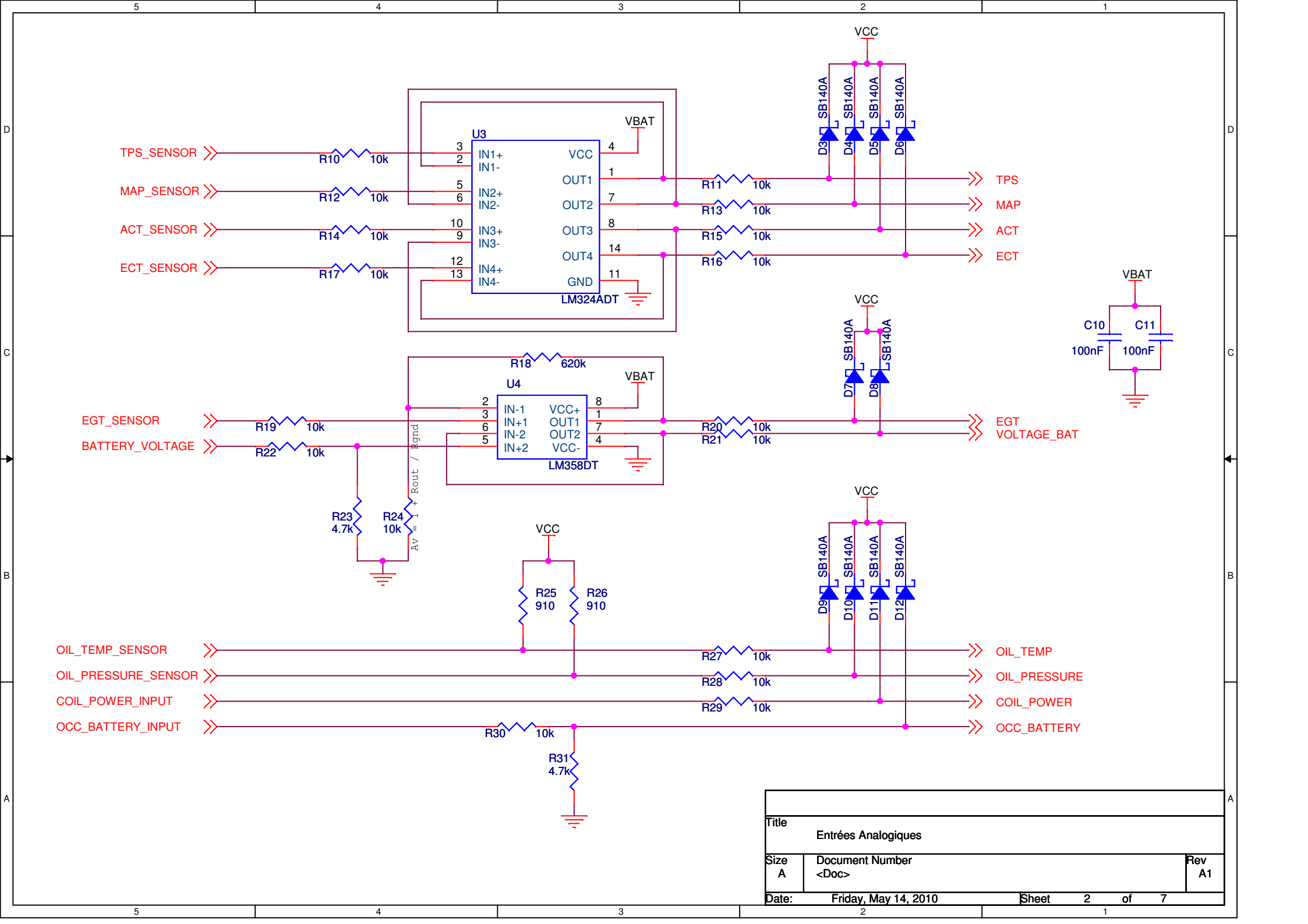
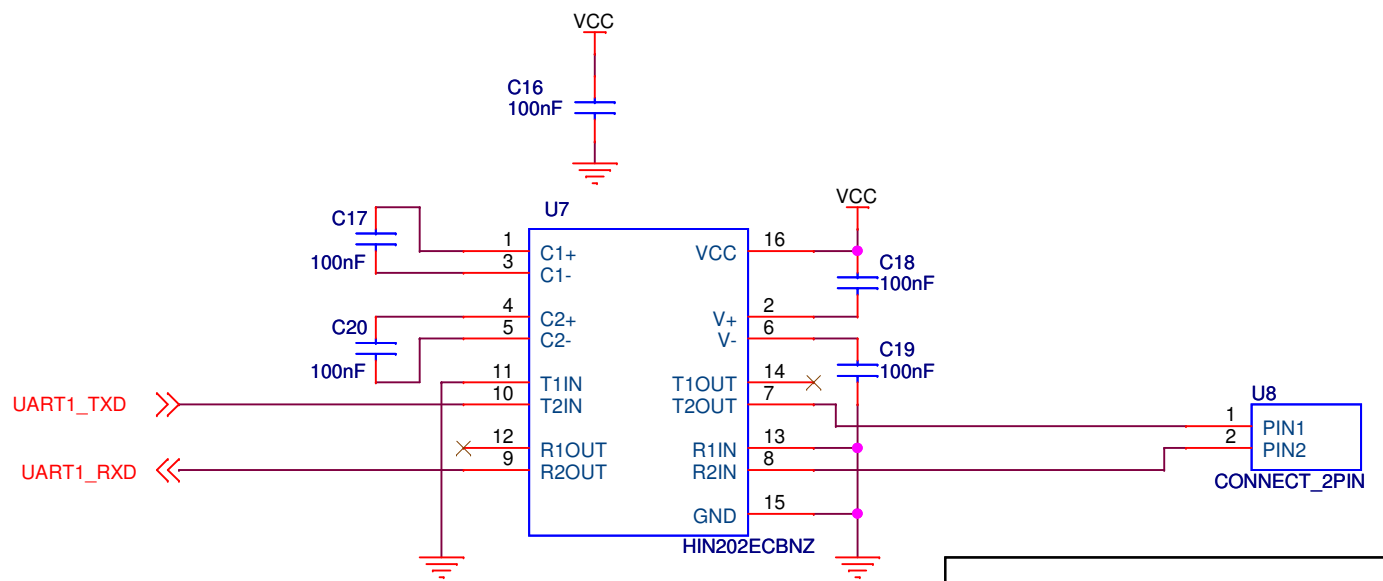
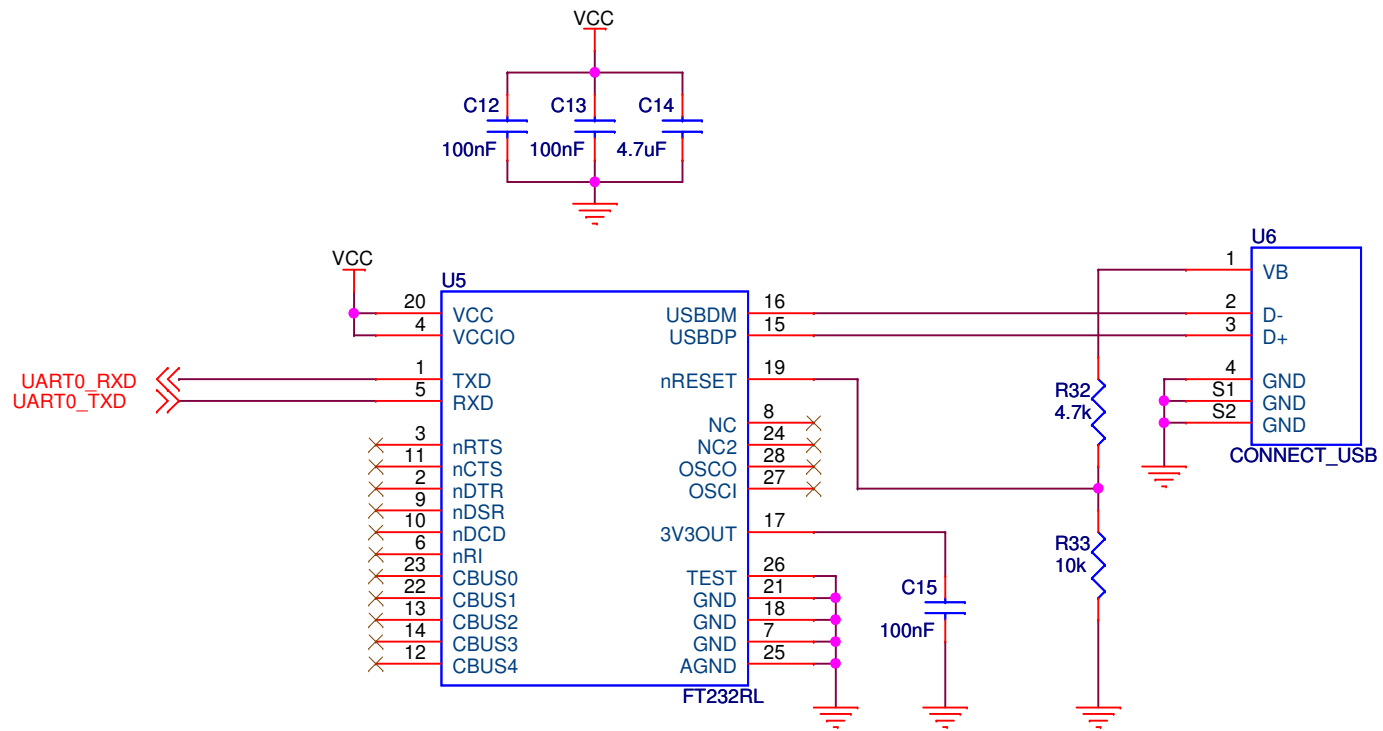


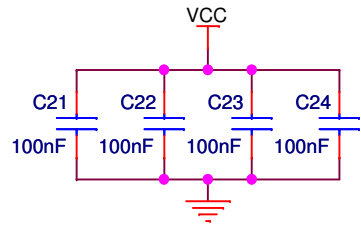
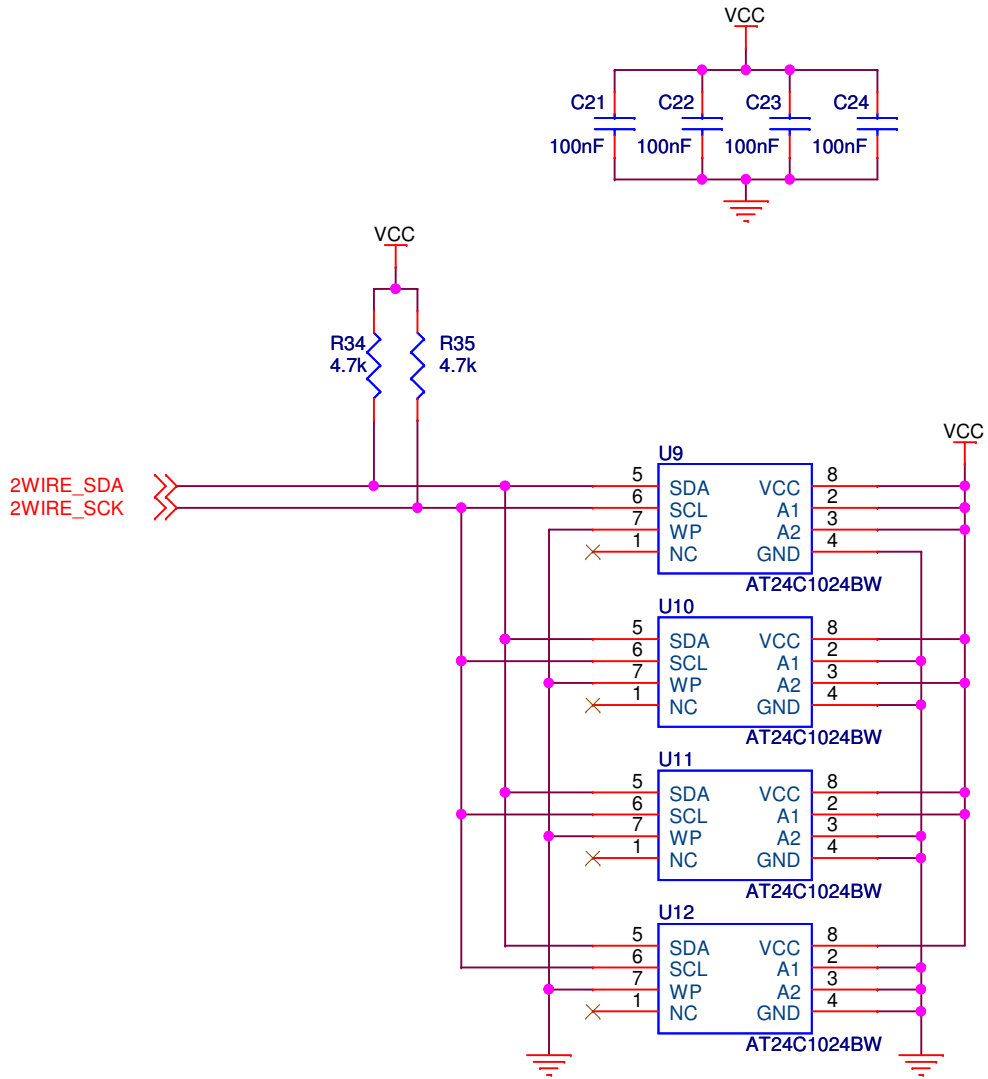
Title		
ATMEGA644		
Size	Document Number	Rev
A	<Doc>	A1
Date:	Friday, May 14, 2010	Sheet 1 of 7



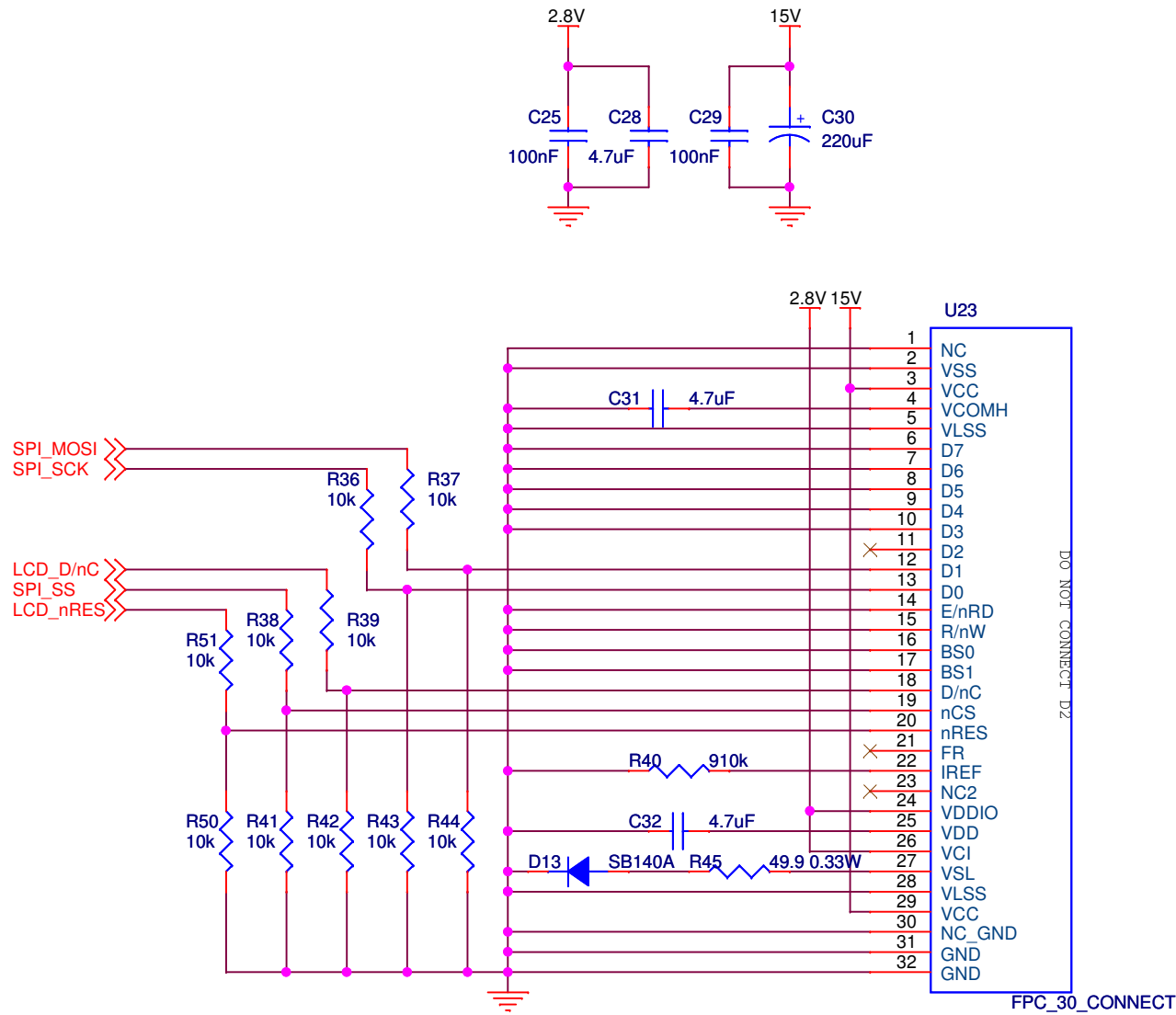
Title		
Entrées Analogiques		
Size	Document Number	Rev
A	<Doc>	A1
Date:	Friday, May 14, 2010	Sheet 2 of 7



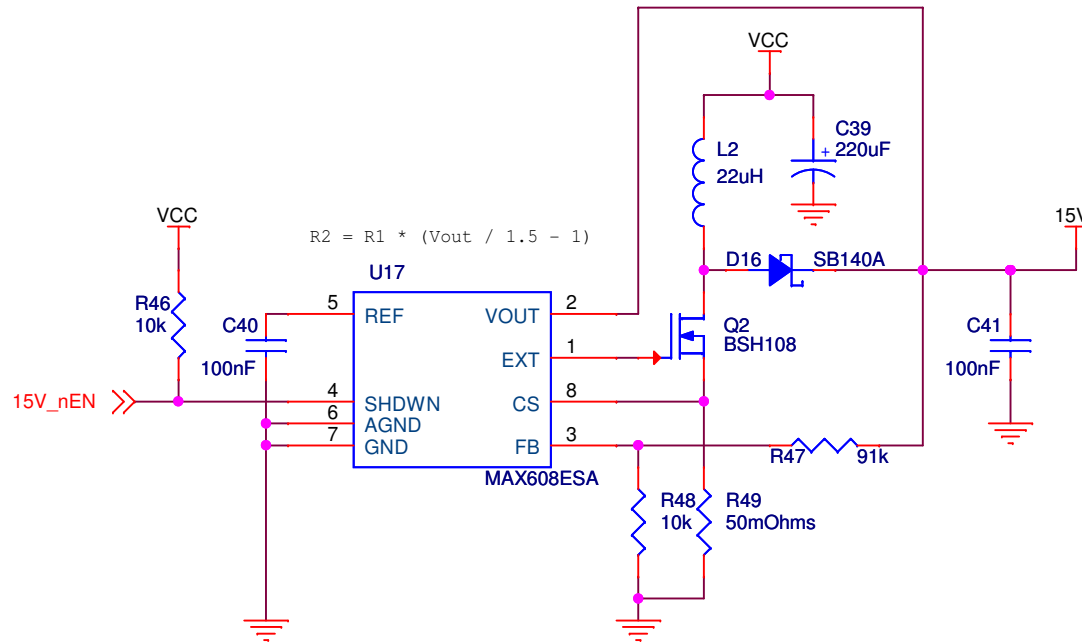
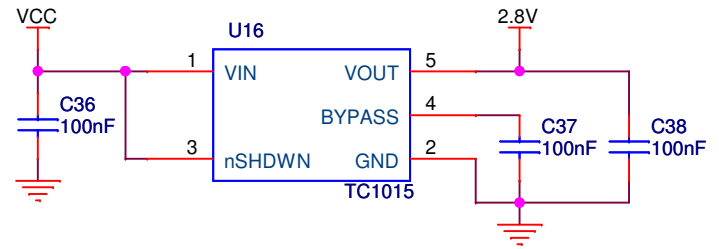
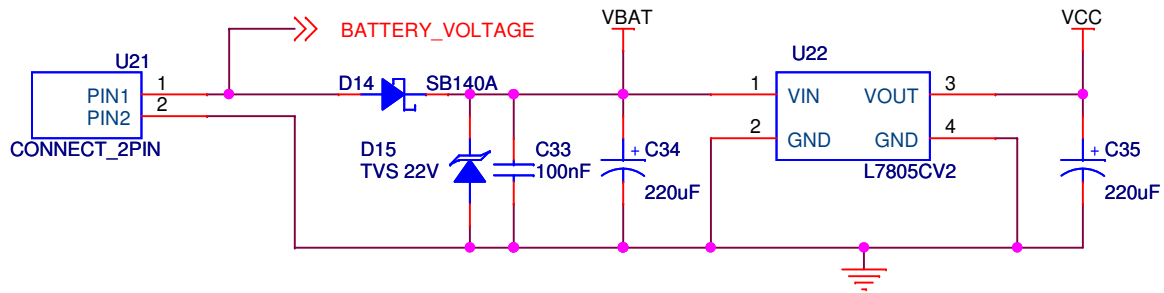
Title		
Communications s�rielles		
Size	Document Number	Rev
A	<Doc>	A1
Date:	Thursday, February 25, 2010	Sheet 3 of 7



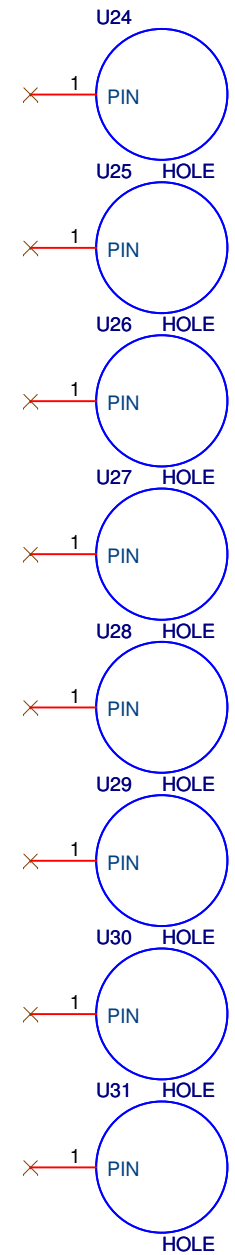
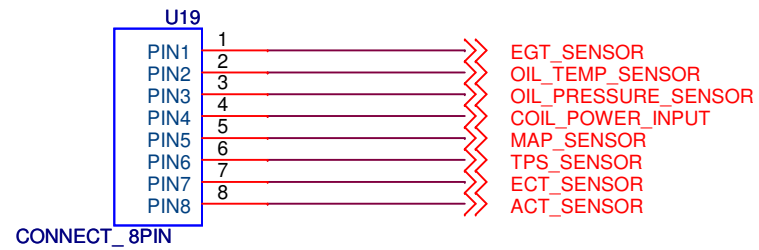
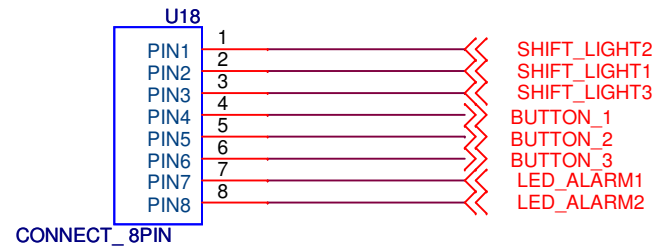
Title		
EEPROMS		
Size	Document Number	Rev
A	<Doc>	A1
Date:	Thursday, February 25, 2010	Sheet 4 of 7



Title		
Connecteur LCD		
Size	Document Number	Rev
A	<Doc>	A1
Date:	Thursday, February 25, 2010	Sheet 5 of 7



Title		
Puissance		
Size	Document Number	Rev
A	<Doc>	A1
Date:	Sunday, April 25, 2010	Sheet 6 of 7



Title		
Connecteurs externes		
Size	Document Number	Rev
A	<Doc>	A1
Date:	Thursday, February 25, 2010	Sheet 7 of 7